



Applications

- Expressway
- Highway
- Street

Certification

-

Description

High Efficacy
 Excellent Light Distribution and Uniformity
 Wireless / Built-in 20KV Surge Protection Device.

Specifications

Model Name	MT100	
Power Consumption	100W	
Correlated Color Temperature	5000K (3000K / 4000K available)	
Luminous Flux *	13,000 lm	
Luminous Efficacy *	130 lm/W	
Color Rendering Index	80 Ra	
Light Distribution	Type III-S	
BUG Rating	B3 – U2 – G3	
LED Chip Manufacturer	SAMSUNG	
Input Voltage	100 - 277 Vac	
Input Current	Max 1.25A (@100Vac)	
Power Factor	≥0.9 at Max load	
Frequency	50 / 60 Hz	
Surge Protection	Line-Line 20KV, Line-FG 20KV	
Driver Type	Constant Current (CC)	
Driver Manufacturer	KMW INC. / Made in Korea	
Size (L x W x H)	19.9 x 18.9 x 6.0 (inch)	505.0 x 480.0 x 152.8 (mm)
Weight (Driver included)	17.6 lb	8.0 Kg
Material	Body	Cast Aluminum
	Optic	Silver Coating Reflector
	Cover	Tempered Glass 4.0T (Clear)
Finish	Powder Coating	
Protection	IP Rating	IP66
	IK Rating	IK08
Mounting Option	Horizontal Tenon Mount	
Mount Hole	Ø2.38 inch Pipe Applied	Ø60.5 mm Pipe Applied
Operating Temperature	-22°F ~ 140°F	-30°C ~ 60°C
Life Time	LED Module	100,000 Hours (L70@77°F / 25°C)
	Driver	50,000 Hours (@77°F / 25°C)
Warranty	5 Years	

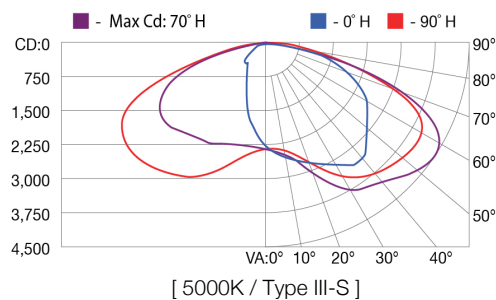
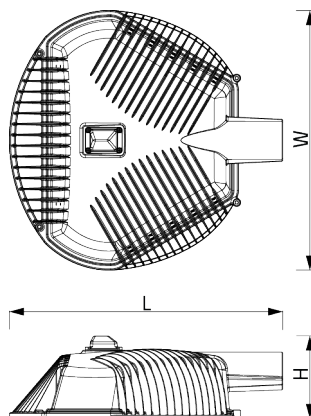
Option

Control System	Wireless (ZigBee)
Junction Box	Horizontal Tenon Mount

*Tolerance : ± 5%

Photometry

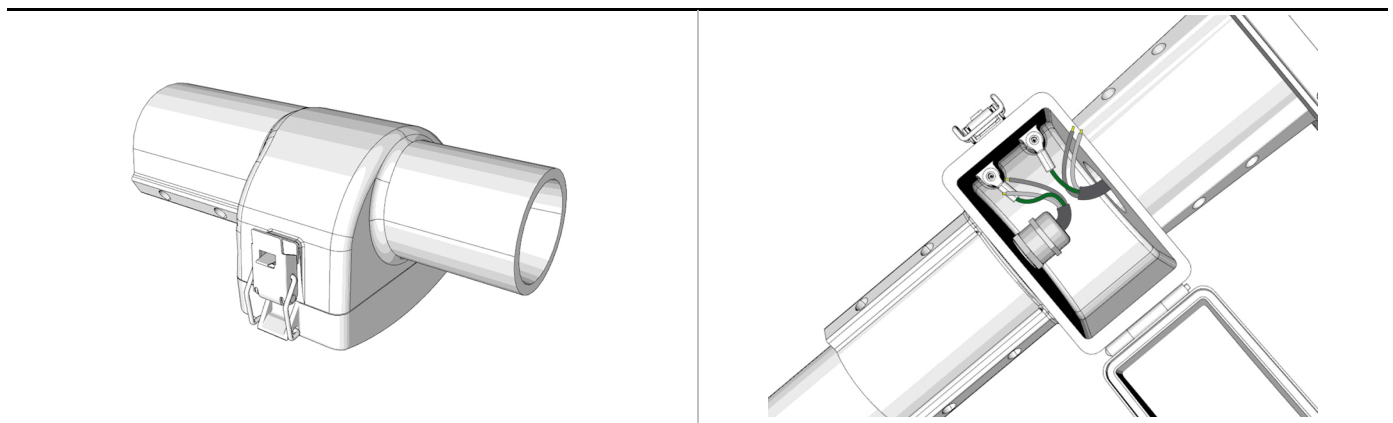
See photometric .ies files for details.



Control Specification (Optional)

ZigBee		Wireless Control
Standard	2.4 GHz - IEEE 802.15.4 (Compatible)	
Network	Mesh	
RF Tx Power	Max. +8 dBm (Typ. 6 dBm)	
Data Rate	250 kbps	
Security	128 bit AES Encryption Algorithms	
Dimmer	PWM, 0 - 10 Vdc	
Antenna	Omni Type, 2 dBi	
Input Voltage	15 Vdc	
Max. Power Consumption	0.3 W (@15Vdc)	

Junction Box (Optional)



Ordering Information

META : LED Roadway Lighting (Order Code Usage : MT100-A3S50NJG1)

	000	-	0	00	00	0	0	00
MT	Power Consumption		Input Voltage	Distribution Type	CCT(K)	Dimming Control	Junction Box	Fixture Color
	100 =100W 130 =130W 150 =150W		A =100~277V B =100~240V	3S =Type III-S	30 =3000 40 =4000 50 =5000	N =None Z =ZigBee	N =None J =Junction Box	G1 =Gray Powder