



Applications

Industry complex
Business park
Local way
Alley-way

Certification

CE
UL
FCC
PSE
KC
SABS
TIS

Description

Unrivaled Efficacy 125 lm/W
Nano-Silver Reflector with 97% Reflection Ratio
Wireless Lighting Control / Built-in 20KV Surge Protection Device

Specifications

Model Name	SET100		
Power Consumption	100W		
Light source	0.2W Mid Power LED Chips (Qty : 384 pcs)		
Correlated Color Temperature	5000K (3000K / 4000K / 5700K available)		
Luminous Flux *	12,500 lm		
Luminous Efficacy *	125 lm/W		
LED Driving Current *	83.3 mA		
Color Rendering Index	80 Ra		
Light Distribution	Type II-S		
BUG Rating	B3 – U1 – G3 (Backlight – Uplight – Glare)		
LED Chip Manufacturer	SAMSUNG		
Input Voltage	100 ~ 277 Vac		
Input Current	Max 1.25A (@100Vac)		
Power Factor	≥0.9 at Max load		
Frequency	50 / 60 Hz		
Surge Protection	Line-Line 20KV, Line-FG 20KV		
Driver Type	Constant Current (CC)		
Fixture & Driver Manufacturer	KMW INC. / Made in Korea		
Size (L x W x H)	15.7 x 16.3 x 6.2 (inch)	398 x 415 x 157 (mm)	
Weight (Driver included)	9.9 lb	4.5 Kg	
Material	Body	Cast Aluminum	
	Optic	Silver Coating Reflector	
	Cover	Tempered Glass 4.0T (Clear)	
Finish	Powder Coating		
IP Rating	IK Rating	IP66	IK08
Mounting Option	Horizontal Tenon Mount		
Mount Hole	Ø2.38 inch Pipe Applied	Ø60.5 mm Pipe Applied	
Operating Temperature	-22°F ~ 140°F	-30°C ~ 60°C	
Life Time	50,000 Hours (@77°F / 25°C)		
Warranty	5 Years (12 hours usage per day)		

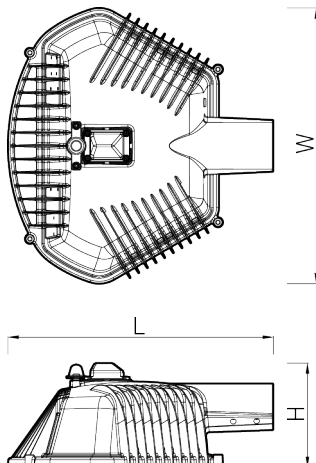
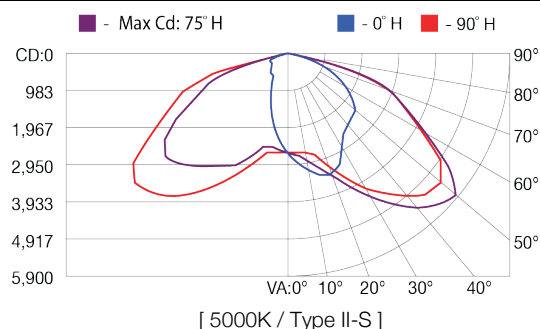
Option

Control System	Wireless (ZigBee) / Sensor (Daylight)
Junction Box	Horizontal Tenon Mount

*Tolerance : ± 5%

Photometry

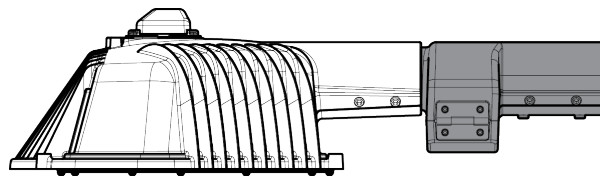
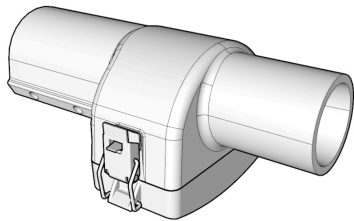
See photometric .ies files for details.



Control System (Optional)

ZigBee		Wireless Control
Input Voltage	15 Vdc	
Max. Power Consumption	0.3 W (@15Vdc)	
Standard	2.4 GHz - IEEE 802.15.4 (Compatible)	
Network	Mesh	
RF Tx Power	Max. +8 dBm (Typ. 5 dBm)	
Data Rate	250 kbps	
Security	128 bit AES Encryption Algorithms	
Dimmer	PWM, 0 – 10 Vdc	
Antenna	Omni Type, 2 dBi	
Daylight Sensor		
Operating Voltage Range	5 Vdc (MAX. 6 Vdc)	
Max. Power Consumption	40 mW (@5Vdc)	
Detectable Illumination Range	9.2 – 92 fc (Default : 64 fc) / 100 – 1,000 lx (Default : 700 lx)	
Output Signal	DC level	

Junction Box (Optional)



* Supplied accessory for UL product

Ordering Information

Order Code Usage : SET100-A50T2SGPMHJ

SET	000	-	O	OO	000	O	000	O
	Power Consumption		Input Voltage	CCT (K)	Distribution Type	Control System	Installation Type	Junction Box
	060 =60W 080 =80W 100 =100W		A =100~277V B =100~240V	30 =3000K 40 =4000K 50 =5000K 57 =5700K	T2S =Type II-S	A =Daylight Sensor G =Daylight Sensor + ZigBee Z =ZigBee N =None	PMH =Pole Mount Horizontal	J =Junction Box N =None