



Applications

- Expressway
- Highway
- Street

Certification

Description

High Efficacy
Excellent Light Distribution and Uniformity
Wireless Lighting Controller / Built-in 20KV Surge Protection Device. (*Option)

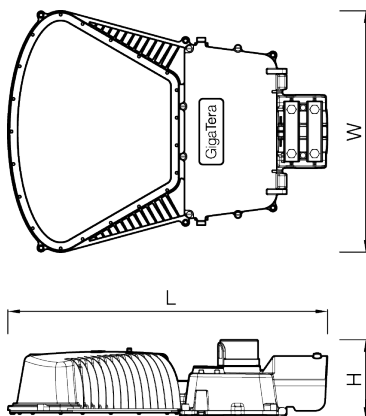
Specifications

Model Name	MEG240	
Power Consumption	240W	
Light Source	0.2W Mid Power LED Chips	
Correlated Color Temperature	5000K (3000K / 4000K available)	
Luminous Flux *	28,800 lm	
Luminous Efficacy *	120 lm/W	
Color Rendering Index	80 Ra	
Light Distribution	Type III-S	
LED Chip Manufacturer	SAMSUNG	
Input Voltage	200 ~ 277 Vac	
Input Current	Max 1.5A (@200Vac)	
Power Factor	≥0.9 at Max load	
Frequency	50 / 60 Hz	
Driver Type	Constant Current (CC)	
Fixture & Driver Manufacturer	KMW INC. / Made in Korea	
Size (L x W x H)	25.1 x 18.9 x 6.2 (inch)	638 x 481 x 158 (mm)
Weight (Driver included)	23.2 lb	10.5 Kg
Material	Body	Cast Aluminum
	Optic	Silver Coating Reflector
	Cover	Tempered Glass 4.0T (Clear)
Finish	Powder Coating	
Protection	IP Rating	IP66
	IK Rating	IK08
Mounting Option	Horizontal Tenon Mount	
Mount Hole	Ø2.38 inch Pipe Applied	Ø60.5 mm Pipe Applied
Operating Temperature	-22°F ~ 140°F	-30°C ~ 60°C
Life Time	50,000 Hours (@77°F / 25°C)	
Warranty	5 Years (12 hours usage per day)	

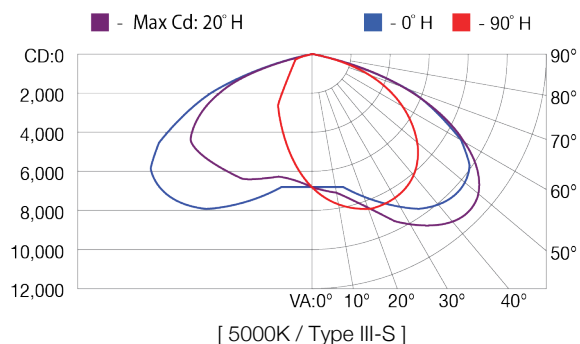
Option

Control System	Wireless (ZigBee) / Daylight Sensor (NEMA Photo)
Surge Protection	Line-Line 20KV, Line-FG 20KV

*Tolerance : ± 5%



Photometry



Control Specification (Optional)

ZigBee		Wireless Control
Input Voltage	15 Vdc	
Max. Power Consumption	0.3 W (@15Vdc)	
Standard	2.4 GHz - IEEE 802.15.4 (Compatible)	
Network	Mesh	
RF Tx Power	Max. +8 dBm (Typ. 5 dBm)	
Data Rate	250 kbps	
Security	128 bit AES Encryption Algorithms	
Dimmer	PWM, 0 – 10 Vdc	
Antenna	Omni Type, 2 dBi	
Photo Sensor (NEMA)		Daylight Sensor
Type	CdS Photocell	
Material	UV Stabilized Polycarbonate Cover & Clear Window	
On-Off Levels	10~20 lx (Dusk) : 30~60 lx (Dawn)	
Ambient Temperature	-40°C ~ 70°C	
Relative Humidity	95%	
Power Consumption	Max. 1.5Vac	
IP Rate	IP65	
Electrical Life	6000 Cycles	

Ordering Information

Order Code Usage : MEG240-C5083S0GSPMHNNNG1NNNNUL

MEG	000	-	0	00	000	0	0
	Power Consumption		Input Voltage	CCT (K)	Beam Angle	Dimming Control	Surge Protector
	240=240W		H=200~277V	30=3000K 40=4000K 50=5000K	T3S=Type III-S	A=Daylight Sensor G=Daylight Sensor + ZigBee Z=ZigBee N=None	S=Yes N=No
	000		000	00	000	00	00
	Installation Type		Size	Fixture Color	Cable Type / Length	Option	Region
	PMH=Pole Mount Horizontal		NNN=Not applicable	G1=Gray	NNN=Not applicable	NN=Not applicable	UL=UL